

OneStepAhead[®]

Instructions and Warnings

Safety Trampoline

WARNING

Read these materials prior to assembling and using your Safety Trampoline, failure to follow these instructions could result in serious injury or death.

Set up and supervision must be done by a competent adult!

Ensure proper set up prior to use!

Instruct children on proper use of this product!

www.onestepahead.com

One Step Ahead[®]

75 Albrecht Drive

Lake Bluff, IL 60044 USA

One Step Ahead[®] Customer Service 1-800-950-5120

User Instructions

Do not allow more than one child at a time to use the trampoline.

Do not attempt somersaults.

Use under adult supervision.

Handle must be held at all times when using the trampoline.

Care and Maintenance

Wipe mat with damp cloth.

Inspect the trampoline before each use and replace defective parts.

Ensure that the screws are tight and there is no slack in the bungee cord.

For indoor and outdoor use - do not leave outdoors when not in use.

Warnings

Handle must be attached before use as detailed in the instructions.

****Under no circumstances must the trampoline be used without the handle attached.**

Place the trampoline on a level surface.

Maintain a clear space on all sides of the trampoline.

Use only in a well lit area.

SPECIFICATIONS

Safety Trampoline

Manufacture Item No. 88029

Parts included

1 x Pre-assembled Red Bouncing Mat, Blue Safety Pad, Bungee Cord & Steel Frame (A)

4 x Steel Leg Supports (B)

2 x Black locking screws used for the handle assemble (C)

1 x Steel Handle with Foam Support (D)

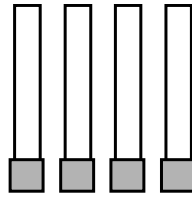
Recommended Age: 3+

Recommended Maximum Weight: 80lbs/36 kg

Recommended Maximum number of persons: 1 child



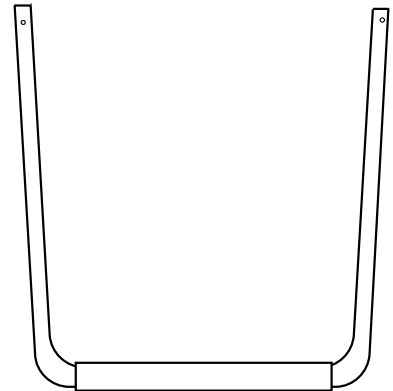
A



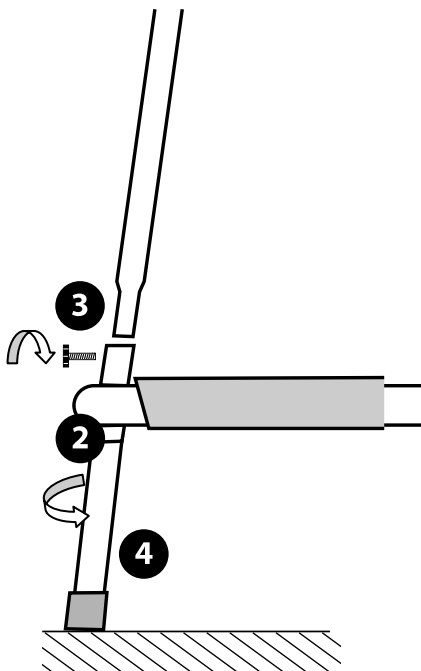
B



C



D



1. The Frame, Jumping Mat, Bungee and Safety Pad are pre-assembled.
2. Thread the 4 Steel Legs onto the base of the frame until tight.
3. Fit the Steel Handle with Foam support onto the frame with the bottom holes facing outside. Lock the frame into place by the 2 Black Locking Screws.
4. Adjust the rubber feet, so that they are in full contact and sit flat onto the ground.
5. To store the trampoline, unscrew the four Steel Legs and undo the Black Locking screws. Place the Steel Legs and Handle on top of trampoline and store the 2 Black Locking screws for safekeeping.

THE DO AND DO NOT'S

DO supervise children at all times while they are using the product.

DO retain instructions with the product.

DO inspect product before each use.

DO instruct children on the proper use of product.

DO maintain 6 foot clearance all around the product.

DO require children to remove shoes before playing.

DO allow only 1 child at a time on the product.

DO keep pets away from the product.

DO instruct children not to attach items to the product that are not specifically designed for use with the equipment, such as but not limited to, jump ropes, clothesline, pet leashes, cables and chains as they may cause a strangulation hazard.

DO NOT allow children to lean over the edge of the product. Leaning over could result in tipping.

DO NOT place product near fire.

DO NOT allow children to jump onto or off of the product.

DO NOT allow children to use product who are unevenly matched in weight & height.

DO NOT allow other toys on the product.

DO NOT allow helmets, headgear, loose clothing, scarves, hoods, or clothing containing drawstrings when using this product.

RETURNS & EXCHANGES

We guarantee every item we sell!

Return for a Refund

We offer Quick Exchanges! When exchanging one item from another, simply phone Customer Service and we'll place a credit card order for the replacement item. Once we receive the original item through our returns processing center you will be reimbursed for the returned item. For complete information see our **PDF Return/Exchange Form**.

(Quick Exchange does not apply to drop shipped items.)

If you would rather not place a Quick Exchange, you may still return your original item for an exchange. For your protection, ship the original item and the packing slip (or our **PDF Return/Exchange Form**) via insured parcel post, UPS or Federal Express Ground to:

www.onestepahead.com

One Step Ahead®

75 Albrecht Drive

Lake Bluff, IL 60044 USA

One Step Ahead® Customer Service 1-800-950-5120